

FIBOX EURONORD Terminal Box

AB-121208

ABS | IP66 | IP67 | IK07

120H x 122W x 75D

IP Enclosures, in partnership with FIBOX, provides a premium range of ABS terminal boxes engineered and manufactured in Finland to the highest quality standards. Suitable for indoor and protected outdoor applications, ABS terminal boxes offer excellent durability, rigidity, mechanical strength, and resistance to moderate chemical exposure. Lightweight with excellent machinability, the ABS series supports precise cutting, drilling, and moulding operations, enabling a wide range of configurations to meet electrical installation requirements.

EAN: 6418074058812

Electric Numbers:

- Finland: 3435474
- Denmark: 8212003431
- Sweden: 7083670

ETIM: EC000261

Protection: IP66/IP67, IK07

Standards (& Conformities): IEC/EN 60529, IEC/EN 62208, IEC/EN 61439-1

Material:

- Body: ABS
- Cover: ABS
- Seal/Gasket: Polyurethane

Body: The durable body is constructed from ABS, delivering superior durability, rigidity, high resistance to mechanical impact and moderate chemical exposure. External edges are rounded and surfaces are polished to improve user safety and to facilitate cleaning and maintenance. It is fully insulated and halogen-free. Multiple mounting options include galvanised steel plates, DIN rails, and wall fastening lugs which simplify installation and support a wide range of electrical components.

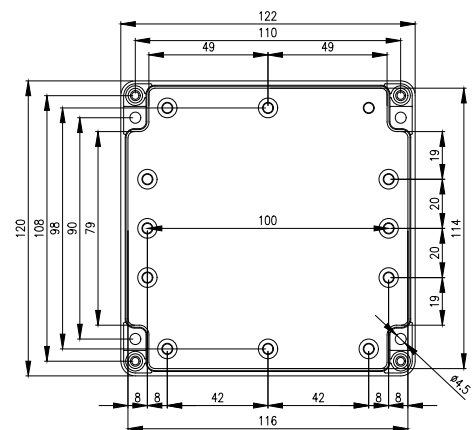
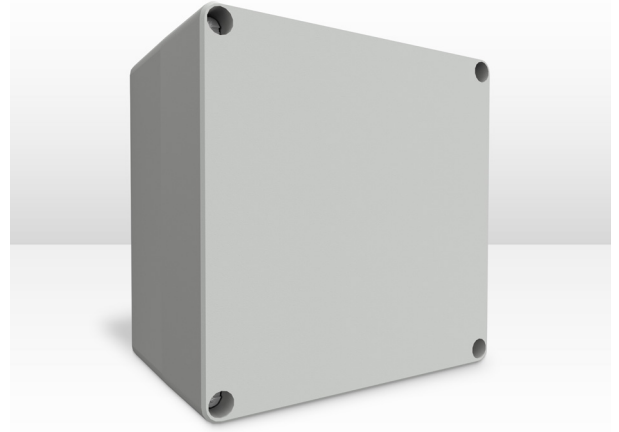
Cover: The durable cover is made from ABS and is provided with polyurethane seal. Stainless steel cover screws are provided to facilitate quick locking system.

Seal/Gasket: Polyurethane.

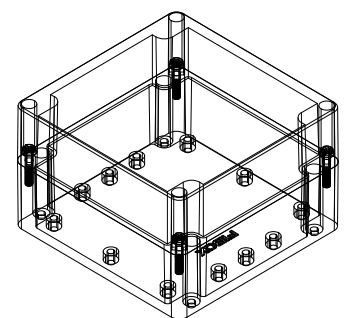
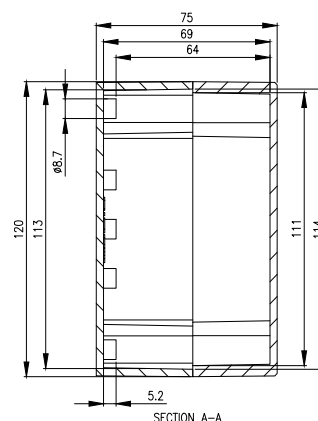
Lock: Stainless steel cover screws. Quick locking system.

Mounting Plate: 1.5mm galvanised steel. (Not included and must be ordered separately).

Standard Colour: RAL7035 Light Grey.



FRONT VIEW-DOOR REMOVED



FIBOX EURONORD Terminal Box

AB-121208

ABS | IP66 | IP67 | IK07

120H x 122W x 75D

ACCESSORIES:

Part Number	Description
TM 1212	Galvanised Steel Mounting Plate 96mmH x 111mmW x 1.5mmD
TRM 1212	Galvanised Steel DIN-15 Mounting Rail 110mmH x 15mmW x 5mmD
TRH 1212	Galvanised Steel DIN-35 Mounting Rail 110mmH x 35mmW x 7mmD
TRM 0812	Galvanised Steel DIN-15 Mounting Rail 106mmH x 15mmW x 5mmD
TH A	Grey Plastic Hinges - 2 pcs. includes Mounting Screws 30mmH x 20mmW x 12mmD

PARAMETERS:

Electrical Insulation:	Fully Insulated
Halogen Free (DIN/VDE 0472, Part 815):	Yes
UV Resistance:	-
Flammability Rating:	UL 94 HB
Glow Wire Test (IEC 695-2-1)°C:	650°C
Temperature °C (short term use):	-40...+80°C
Temperature °C (continuous term use):	-40...+60°C

CERTIFICATES:

Certificate FI 41298. Our Ref. HEL-CERT210200096-04.